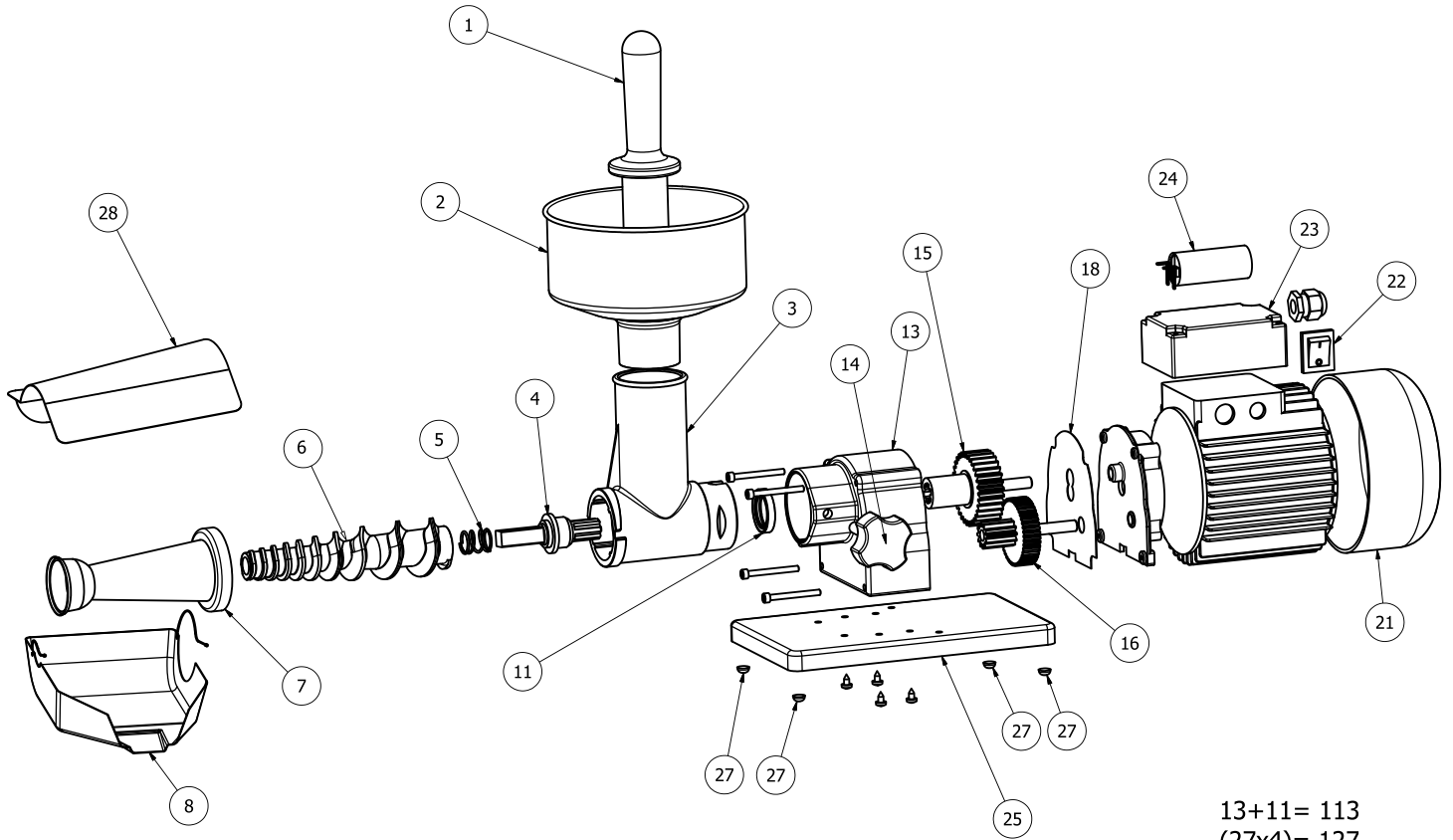


# Parts Breakdown

Model TS-IT-0150 41418



13+11= 113  
 (27x4)= 127  
 25+(27x4)= 125

# Parts Breakdown

---

## Model TS-IT-0150 41418

Item No.	Description	Position	Item No.	Description	Position	Item No.	Description	Position
15241	Plunger for 41418	1	15246	Knob for 41418	14	AD001	Splashes Protector for 41418	28
19162	Inox Hopper for 41418	2	27655	Big Gear for 41418	15	AD000	Reduction Unit Case with Sealing Ring for 41418	113
61934	Body for 41418	3	45893	Small Gear 12 Teeth / 60 Teeth for 41418	16	67465	Base and 4 Feet Set for 41418	125
61933	Joint for 41418	4	27662	Motor Reducer Gasket for 41418	18	67464	4 Feet Set for 41418	127
61932	Worm Spring for 41418	5	64286	Motor Fan Cover for 41418	21	64285	Motor Fan for 41418	
61931	Worm for 41418	6	67462	Switch 110V/60Hz for 41418	22	61430	Motor Reductor for 41418	
19236	Stainless Filter for 41418	7	45128	Switch Box for 41418	23			
AC999	Stainless Steel Collector with Hooks for 41418	8	67463	Capacitor for 41418	24			